

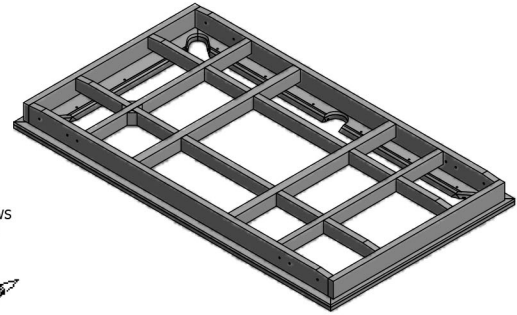
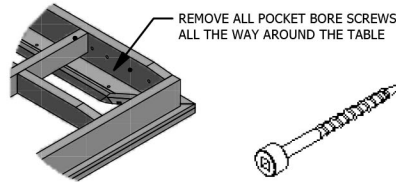
# ASSEMBLY INSTRUCTIONS

BAINBRIDGE POOL

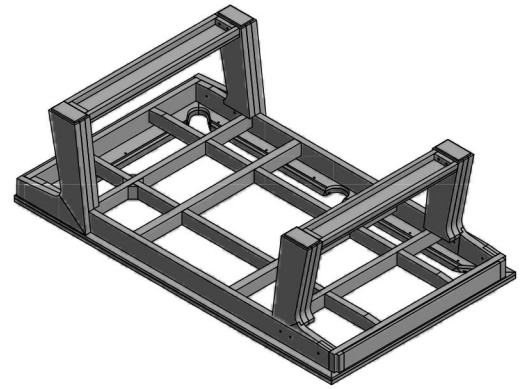
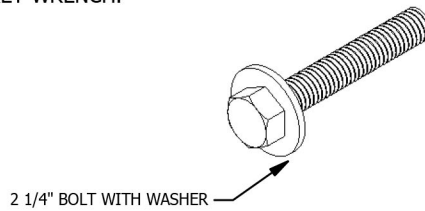
PAGE 1 of 1



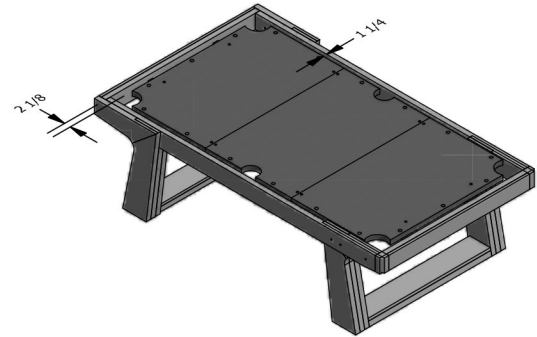
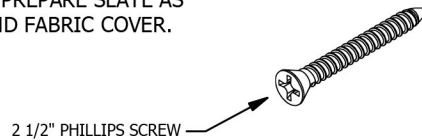
- ① OPEN THE CARTON CONTAINING THE CHASIS AND THE RAIL FRAME. REMOVE THE SCREWS FASTENING THE RAIL TO THE CHASIS. SAVE THESE SCREWS AS YOU WILL USE THEM TO RE-ATTACH THE RAIL FRAME LATER. WITH HELP, LIFT THE CHASIS OFF THE RAIL FRAME AND PLACE IT NEAR WHERE YOU PLAN TO SETUP THE POOL TABLE.



- ② OPEN THE CARTON CONTAINING THE LEGS. SET THE LEGS IN PLACE AS SHOWN. USE THE 2 1/4" BOLTS AND WASHERS PROVIDED TO FASTEN EACH LEG IN PLACE. FIRST INSTALL THE BOLTS BY HAND, CHECK THAT THE LEGS ARE FLUSH WITH THE ENDS OF THE CHASIS, AND THEN TIGHTEN FIRMLY WITH A SOCKET WRENCH.



- ③ FLIP THE ASSEMBLED TABLE UPRIGHT AND POSITION THE SLATE IN PLACE. THE SLATE SHOULD BE CENTERED INSIDE THE CHASIS SO IT'S BORDER IS ABOUT 1 1/4" FROM THE INSIDE EDGE OF THE CHASIS ON THE SIDES, AND 2 1/8" ON THE ENDS. AT THIS POINT IT IS A GOOD IDEA TO SET THE RAIL FRAME IN PLACE TO MAKE SURE THE SLATE HOLES LINE UP WITH THE THREADED HOLES IN THE BOTTOM OF THE RAIL FRAME. WHEN IT IS PROPERLY POSITIONED, SECURE THE SLATE USING THE 2 1/2" PHILLIPS SCREWS PROVIDED. PREPARE SLATE AS NECESSARY WITH JOINT FILLER AND FABRIC COVER.



- ④ AFTER APPLYING COVER TO THE RAIL FRAME, LIFT IT IN PLACE ON THE TABLE. CENTER THE RAIL FRAME ON THE CHASIS AND LEGS. USE THE SCREWS YOU REMOVED IN THE FIRST STEP TO FASTEN THE RAIL FRAME TO THE CHASIS. WHEN IT IS FASTENED FIRMLY IN PLACE, USE THE 1 3/4" BOLTS WITH COMPRESSION WASHERS TO FURTHER FASTEN THE RAIL FRAME TO THE SLATE.

