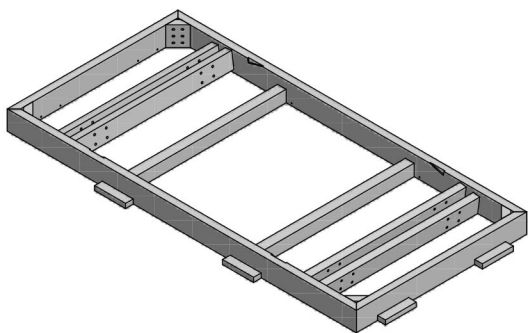
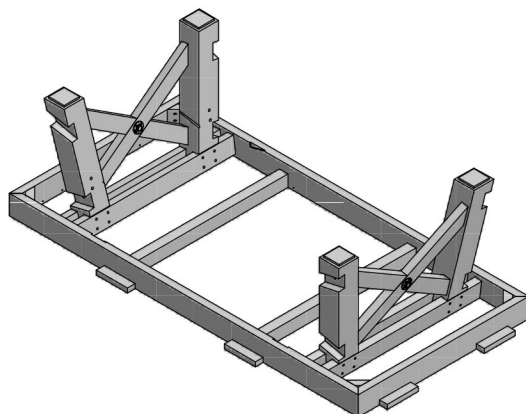


ASSEMBLY INSTRUCTIONS

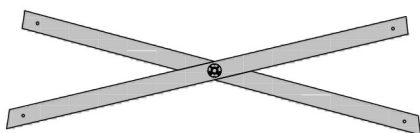
LOFT BASE AND CHASIS



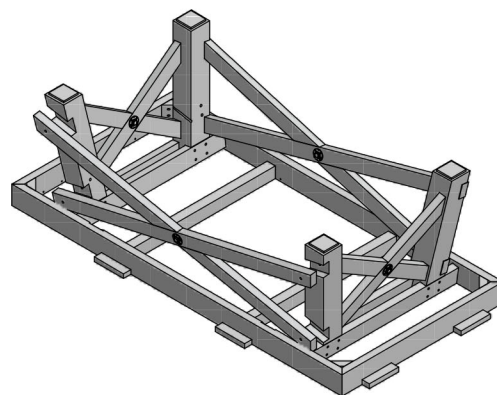
- 1** PLACE THE CHASIS UPSIDE-DOWN ON A PROTECTED SURFACE SUCH AS THE PACKAGING THAT IT CAME IN (SO THAT YOUR FLOOR IS NOT DAMAGED.)



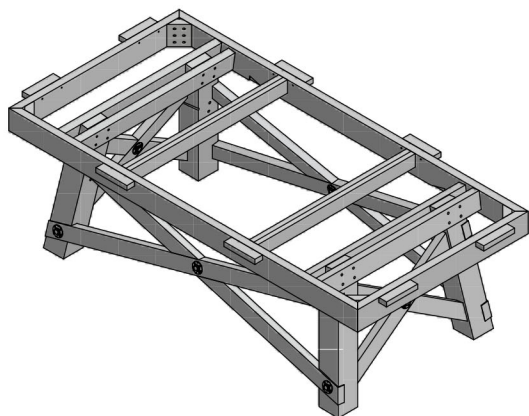
- 2** INSERT THE LEGS AS SHOWN AND LOOSELY INSTALL THE BOLTS AND WASHERS PROVIDED TO HOLD THE LEGS IN PLACE, BUT ALLOWING A LITTLE BIT OF MOVEMENT FOR INSTALLING THE CROSS BRACES.



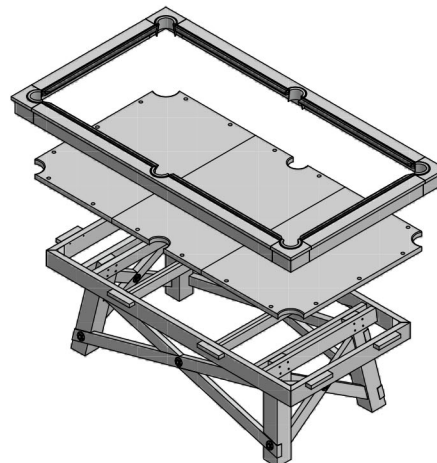
- 3** ASSEMBLE THE CROSS BRACES, MAKING SURE THAT THE SIDES MARKED "BOTTOM" WITH BLUE TAPE ARE ALL FACING THE SAME WAY. USE THE BOLT AND WASHERS PROVIDED TO FASTEN THE CROSS BRACE TOGETHER.



- 4** INSTALL THE CROSS BRACES, MAKING SURE THAT THE BOTTOM SIDE OF THE CROSS BRACES FACE THE BOTTOM OF THE TABLE. USE THE LAG BOLTS AND WASHERS PROVIDED TO FASTEN THE CROSS BRACE TO THE LEGS, THEN GO BACK AND FIRMLY FASTEN THE LEGS TO THE CHASIS.



- 5** WITH HELP, TURN THE TABLE UPSIDE-RIGHT. YOU ARE BASICALLY ROLLING IT OVER GENTLY.



- 6** THE BASE IS NOW READY FOR THE INSTALLATION OF SLATE, BILLIARD CLOTH AND RAILS. REFER TO THE RAIL ASSEMBLY INSTRUCTIONS FOR INSTALLATION OF THE RAILS. HAVE A QUALIFIED TECHNICIAN INSTALL SLATE AND BILLIARD CLOTH.