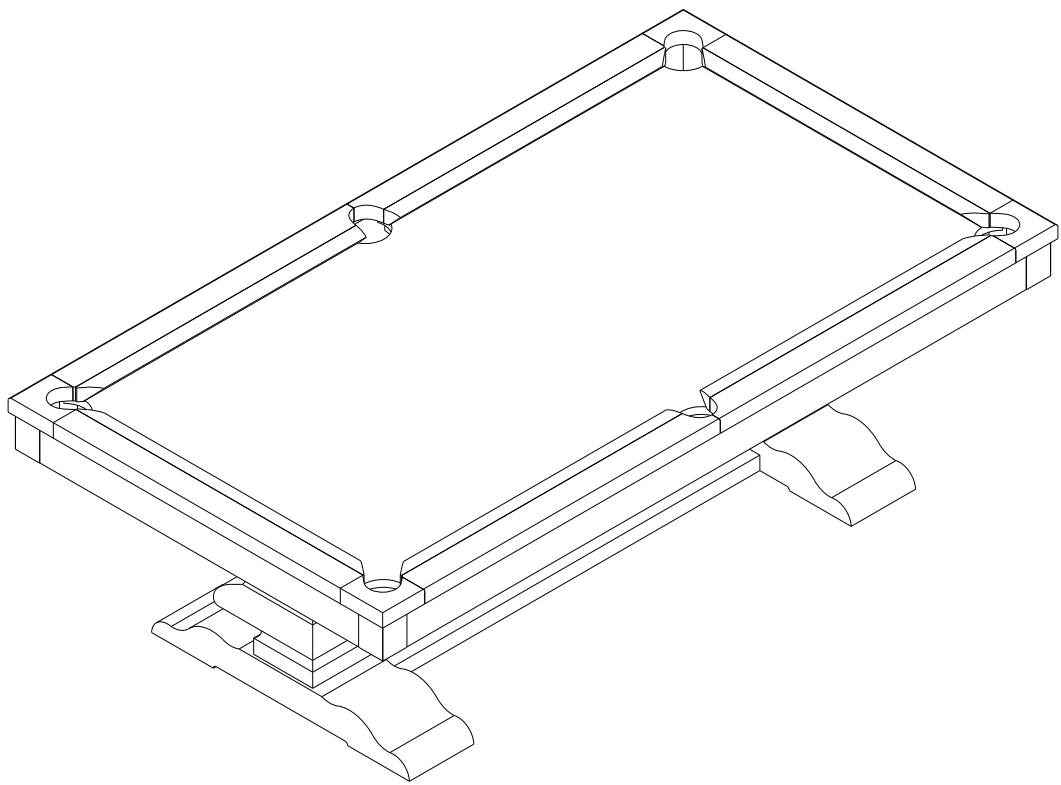













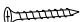





BEAUMONT








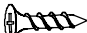


BEAUMONT TABLE ASSEMBLY INSTRUCTIONS

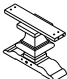

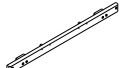


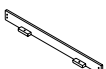

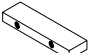



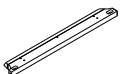




REPLACEMENT PARTS LIST (HARDWARE)

PACKAGE	ITEM#	SAMPLE	DESCRIPTION	QTY.
LEG/PANEL	H1		STUD BOLT 3/8" X 5-7/8"(M10X150mm)	4
	H2		FLAT WASHER 3/8" I.D.	8
	H3		HEX NUT 3/8" I.D.	8
	H4		HEX BOLT 3/8" X 5-1/8"(M10X130mm)	8
	H5		FLAT WASHER 3/8" I.D.	8
	H6		NUT 3/8" I.D.	8
BEAM/BLOCK	H7		HEX BOLT 3/8" X 5-1/8"(M10X130mm)	4
	H8		FLAT WASHER 3/8" I.D.	4
	H9		NUT 3/8" I.D.	4
	H10		HEX HEAD CROSS BOLT 5/16" X 3-1/8"(M8X80mm)	4
	H11		FLAT WASHER 5/16" I.D.	4
	H12		HEX HEAD CROSS BOLT 5/16" X 3-1/8"(M8X80mm)	16
	H13		FLAT WASHER 5/16" I.D.	16
RAIL/POCKET/SLATE	H14		FLAT HEAD SCREW 1/2" X 2-3/4"(M12X70mm)	12
	H15		STUD BOLT 5/16" X 5-1/2"(M8X140mm)	2
	H16		STUD BOLT 5/16" X 3-1/2"(M8X88mm)	8
	H17		FLAT WASHER 5/16" I.D.	20

REPLACEMENT PARTS LIST (HARDWARE)

PACKAGE	ITEM#	SAMPLE	DESCRIPTION	QTY.
RAIL/POCKET/SLATE	H18		HEX NUT 5/16" I.D.	20
	H19		HEX HEAD CROSS BOLT 5/16" X 1"(M8X25mm)	16
	H20		FLAT WASHER 5/16" I.D.	16
	H21		HEX HEAD CROSS BOLT 5/16" X 1-7/16"(M8X36mm)	12
	H22		FLAT WASHER 5/16" I.D.	12
	H23		HEX HEAD CROSS BOLT 3/8" X 2-3/8"(M10X60mm)	18
	H24		DOME WASHER 3/8" I.D.	18
	H25		FLAT HEAD SCREW 5# X 1/2"(M3X12mm)	24

REPLACEMENT PARTS LIST

PACKAGE	ITEM#	SAMPLE	DESCRIPTION	QTY.
LEG	1		LEG	2
	2		LEG BEAM	1
FRAME(PANEL)	3		SIDE CABINET	2
	4		END CABINET	2
	5		SIDE APRON	2
	6		END APRON	2
	7		APRON JOINT CORNER BLOCK	4
	8		LONG WOODEN BLOCK	4
	9		SHORT WOODEN BLOCK	4
BEAM	10		CROSS BEAM	2
TOP RAIL	11		TOP RAIL LEFT SIDE	2
	12		TOP RAIL RIGHT SIDE	2
	13		TOP RAIL END	2
	14		TOP RAIL CORNER	4
POCKET	15		SIDE POCKET	2
	16		CORNER POCKET	4

REPLACEMENT PARTS LIST

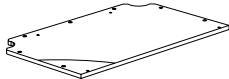
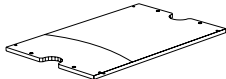
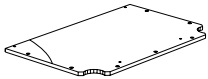

PACKAGE	ITEM#	SAMPLE	DESCRIPTION	QTY.
SLATE	17		SLATE (LEFT)	1
	18		SLATE (CENTER)	1
	19		SLATE (RIGHT)	1
	20		WOOD JOINT	16

FIG.1

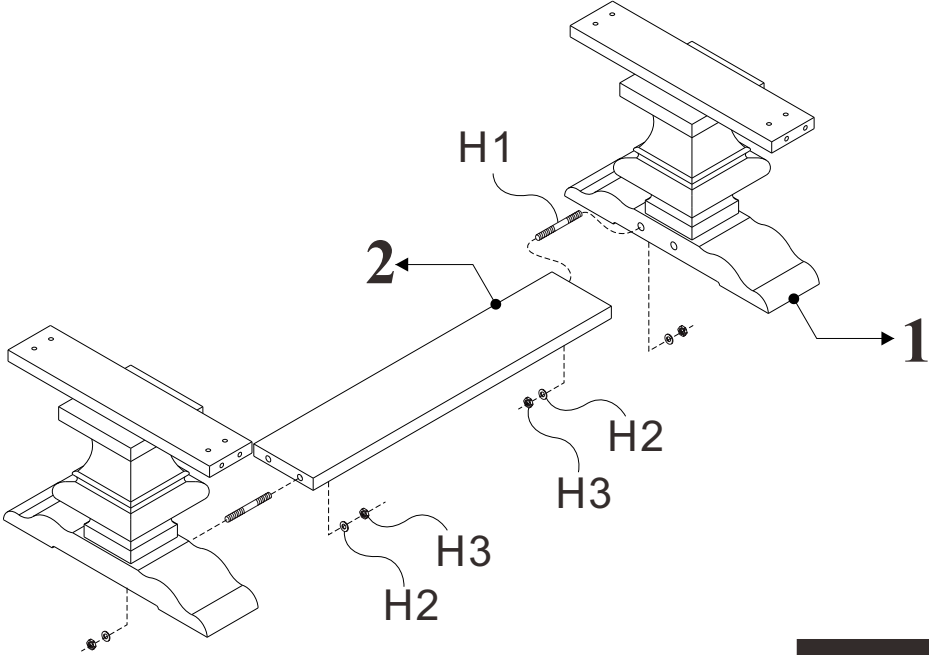


FIG.2

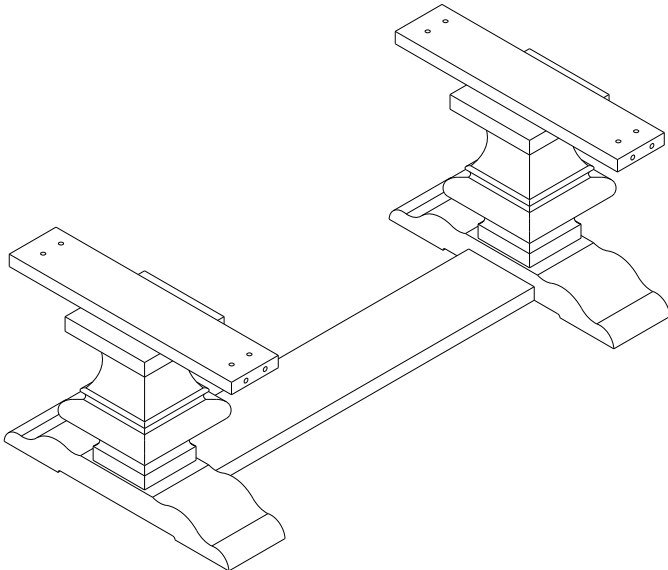


FIG.3

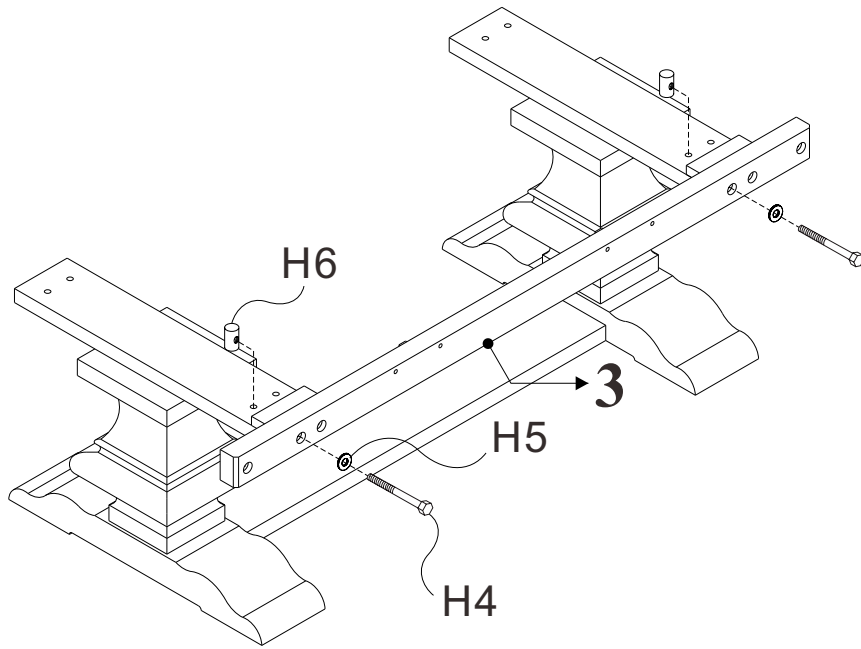


FIG.4

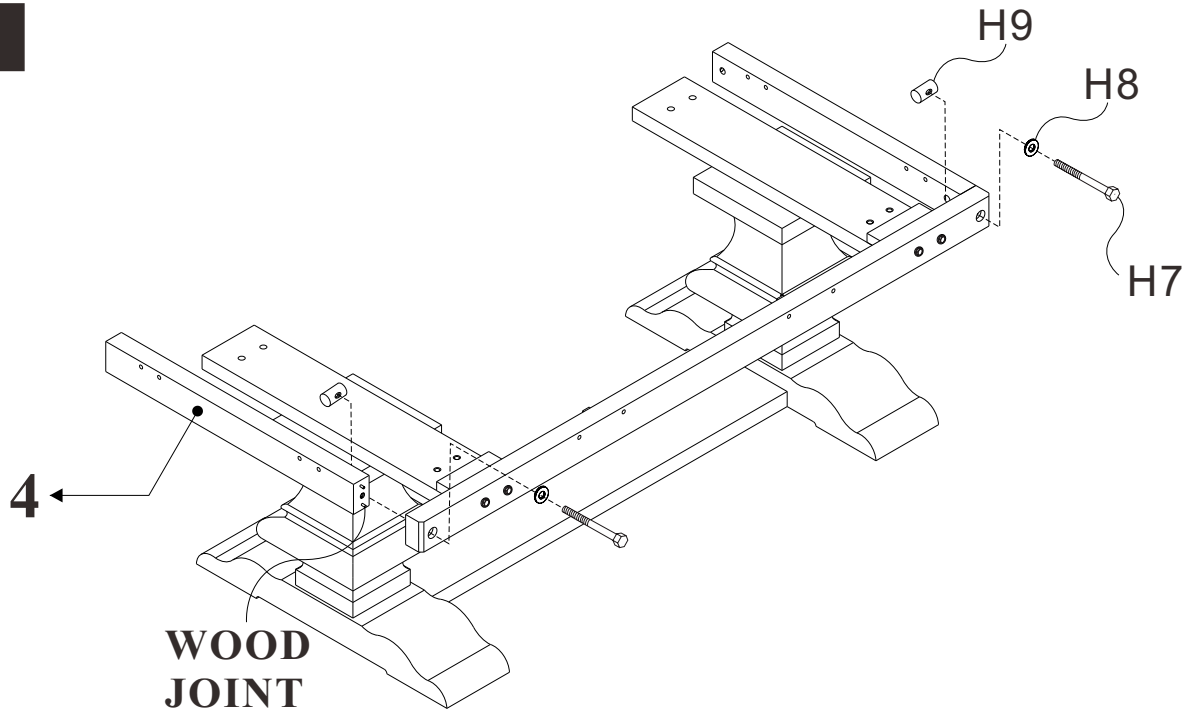


FIG.5

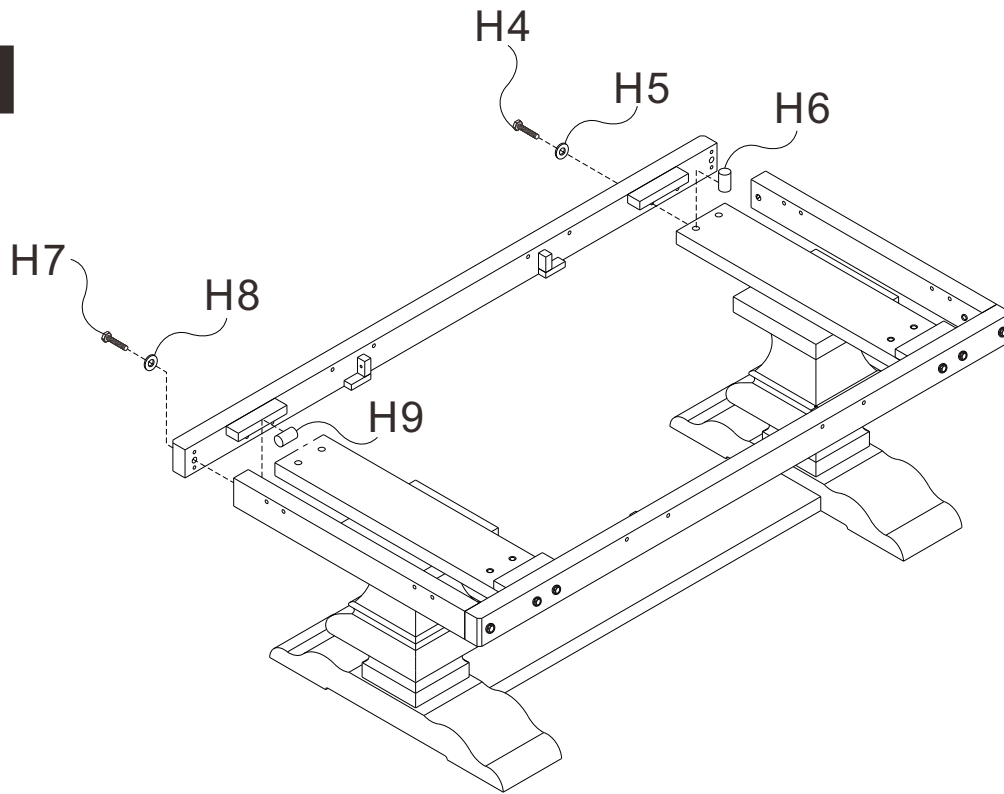


FIG.6

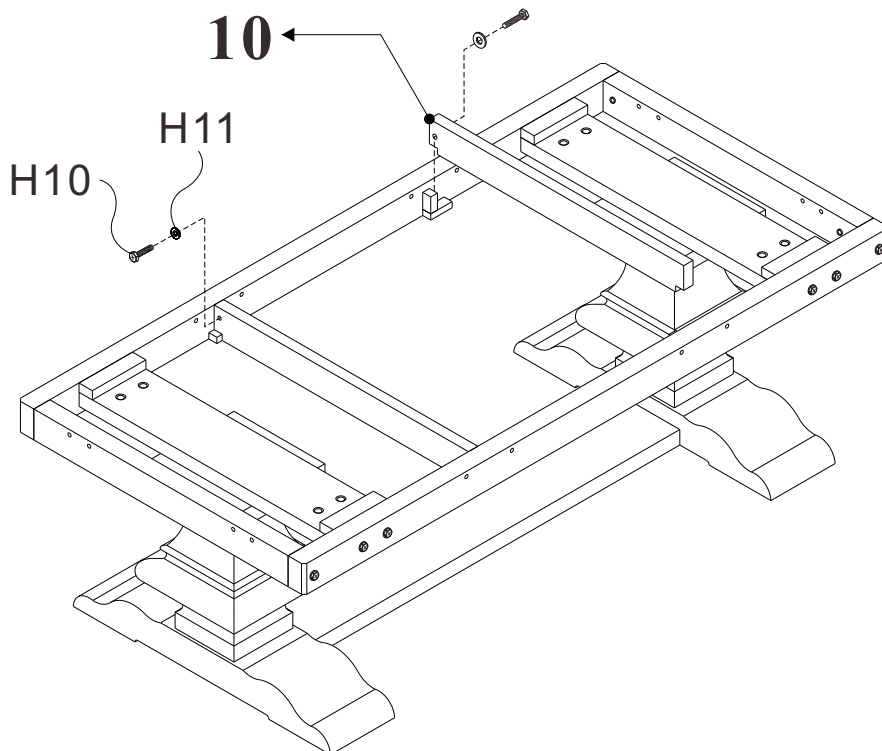


FIG.7

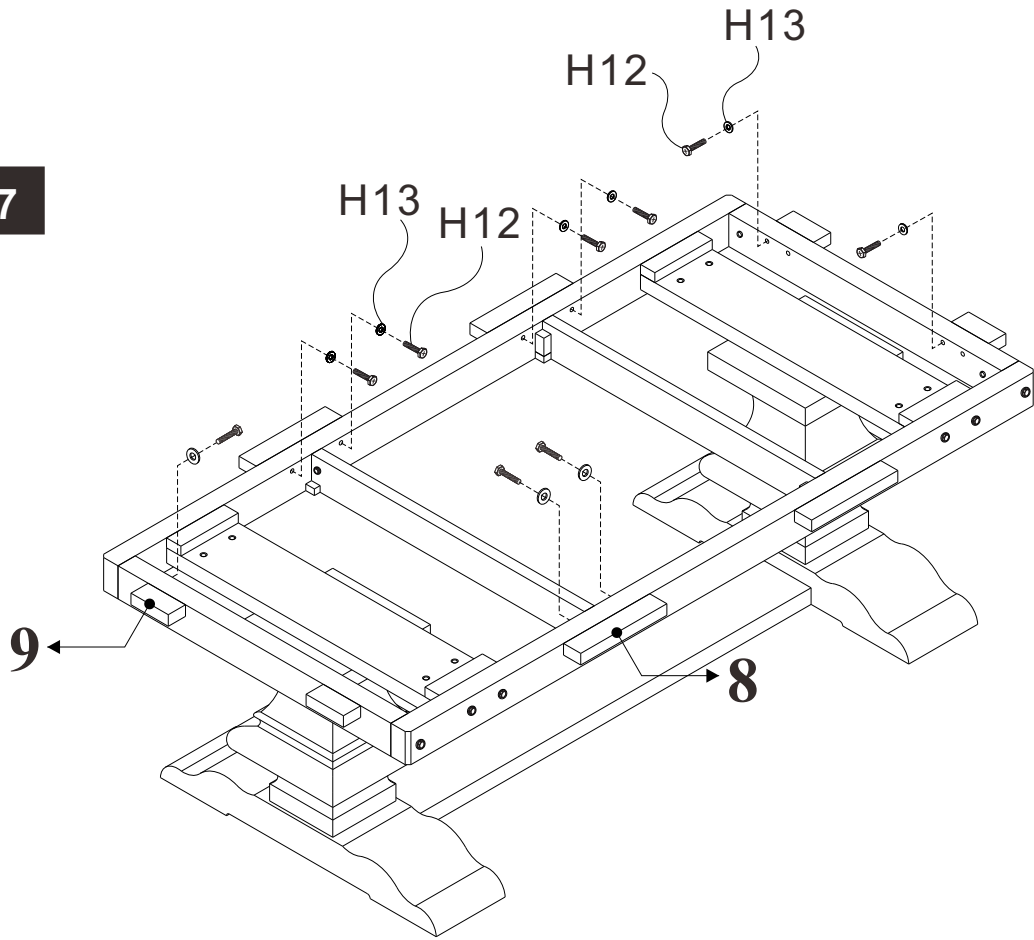


FIG.8

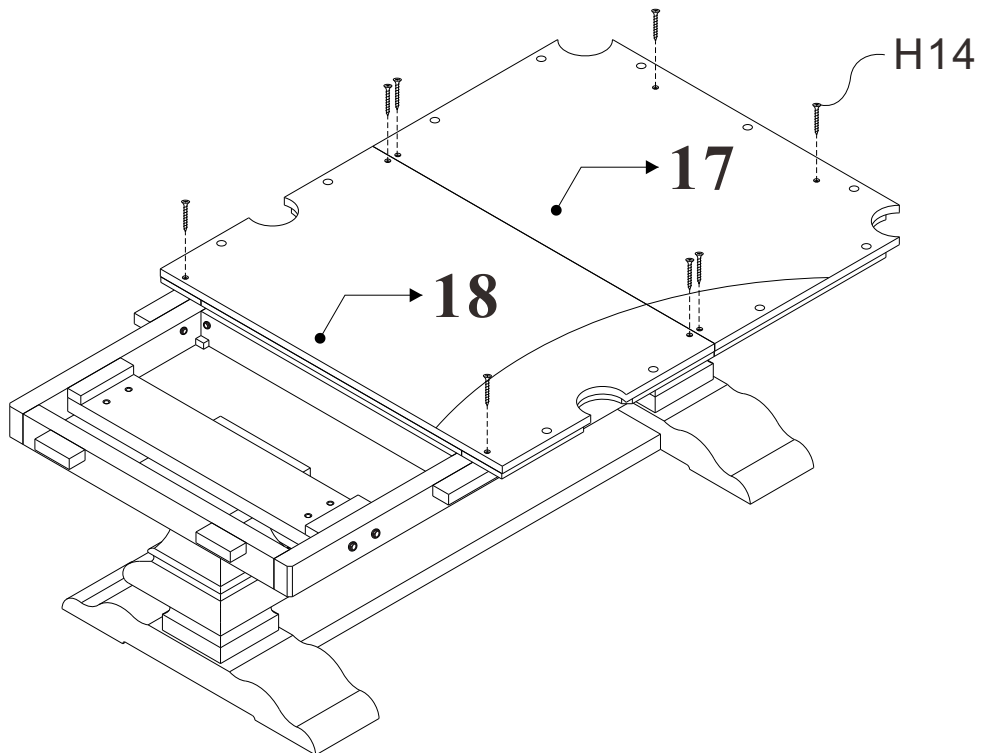


FIG.9

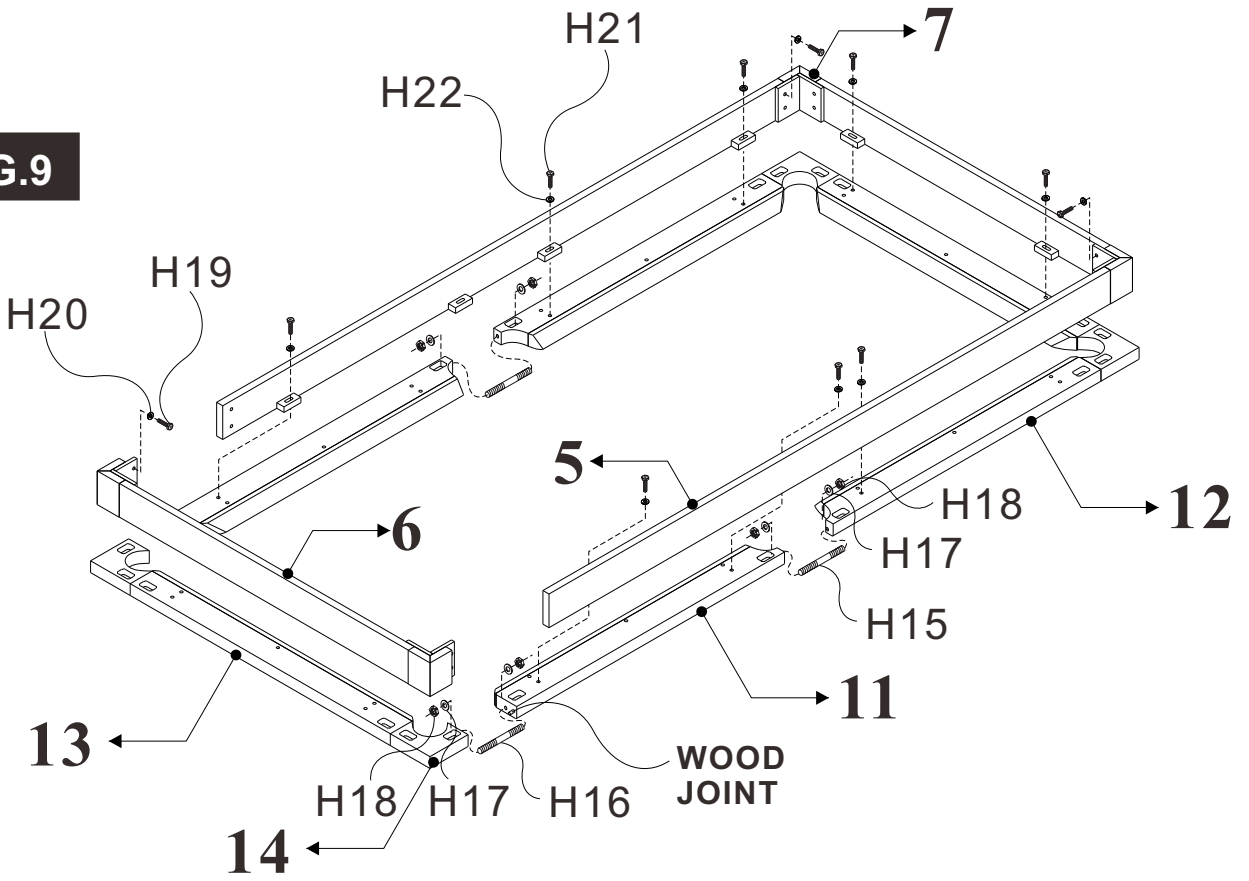
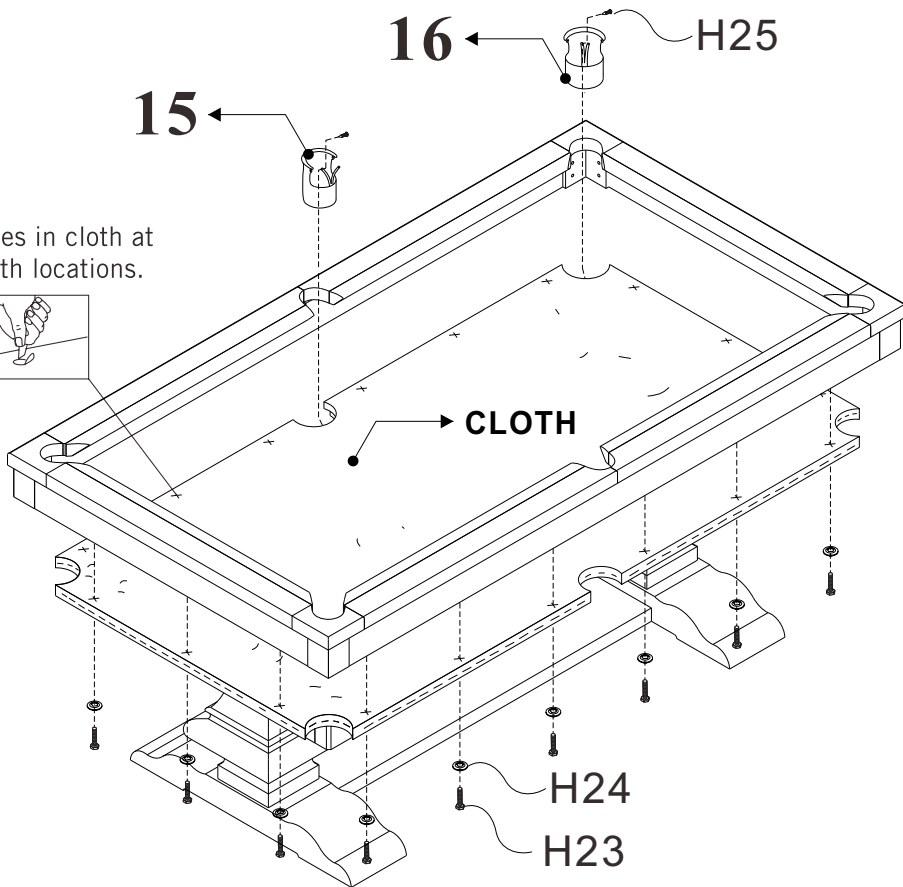
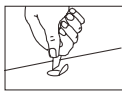


FIG.10

Cut holes in cloth at rail both locations.



Finish

