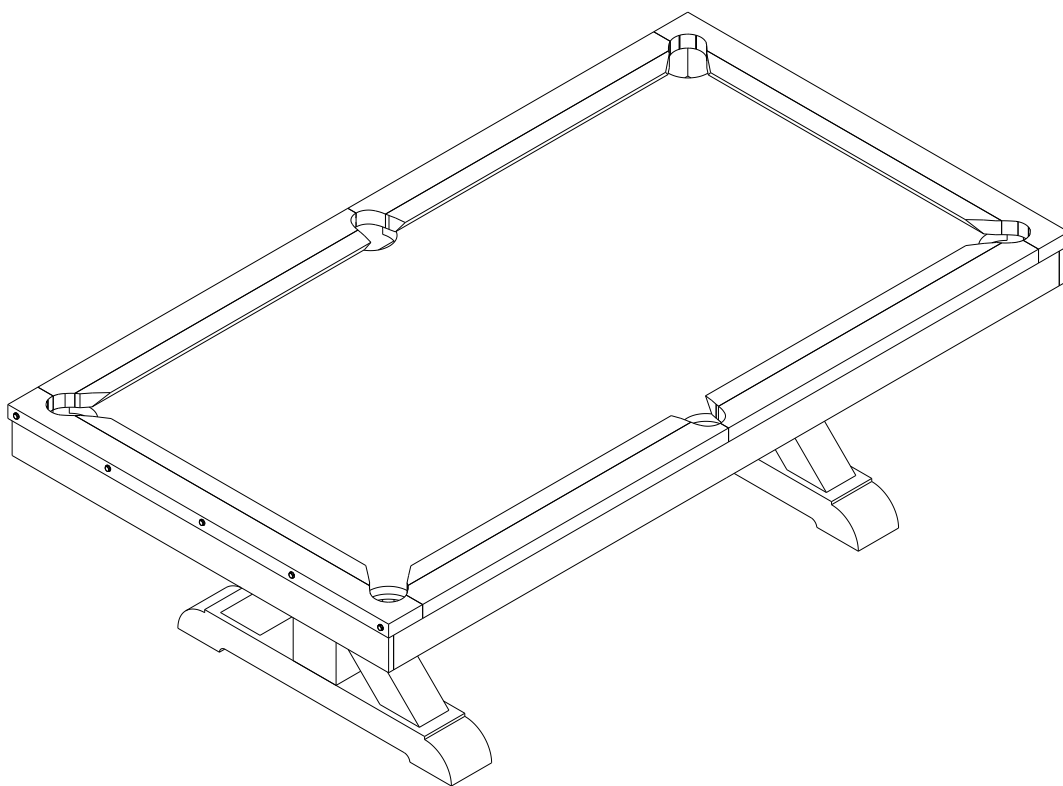


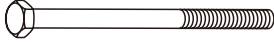









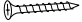






7' & 8' OTIS





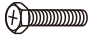



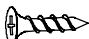
OTIS TABLE

ASSEMBLY INSTRUCTIONS

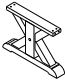
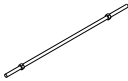

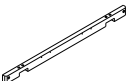
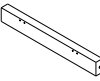

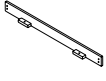

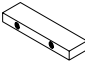
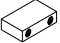

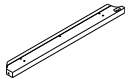
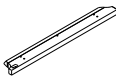
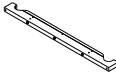


REPLACEMENT PARTS LIST (HARDWARE)

PACKAGE	ITEM#	SAMPLE	DESCRIPTION	QTY.
LEG/PANEL	H1		HEX BOLT 3/8" X 5-1/8" (M10X130mm)	8
	H2		FLAT WASHER 3/8" I.D.	16
	H3		NUT 3/8" I.D.	8
BEAM/BLOCK	H4		HEX BOLT 3/8" X 5-1/8" (M10X130mm)	4
	H5		FLAT WASHER 3/8" I.D.	4
	H6		NUT 3/8" I.D.	4
	H7		HEX HEAD CROSS BOLT 5/16" X 3-1/8" (M8X80mm)	4
	H8		FLAT WASHER 5/16" I.D.	4
	H9		HEX HEAD CROSS BOLT 5/16" X 3-1/8" (M8X80mm)	16
	H10		FLAT WASHER 5/16" I.D.	16
RAIL/POCKET/SLATE	H11		FLAT HEAD SCREW 1/2" X 2-3/4" (M12X70mm)	12
	H12		STUD BOLT 5/16" X 5-1/2" (M8X140mm)	2
	H13		FLAT WASHER 5/16" I.D.	4
	H14		HEX NUT 5/16" I.D.	4
	H15		HEX BOLT 3/8" X 6-5/16" (M10X160mm)	4
	H16		FLAT WASHER 5/16" I.D.	8
	H17		HEX NUT 5/16" I.D.	4

REPLACEMENT PARTS LIST (HARDWARE)

PACKAGE	ITEM#	SAMPLE	DESCRIPTION	QTY.
RAIL/POCKET/SLATE	H18		HEX HEAD CROSS BOLT 5/16" X 1"(M8X25mm)	16
	H19		FLAT WASHER 5/16" I.D.	16
	H20		HEX HEAD CROSS BOLT 5/16" X 1-7/16"(M8X36mm)	12
	H21		FLAT WASHER 5/16" I.D.	12
	H22		HEX HEAD CROSS BOLT 3/8" X 2-3/8"(M10X60mm)	18
	H23		DOME WASHER 3/8" I.D.	18
	H24		FLAT HEAD SCREW 5# X 1/2"(M3X12mm)	24

REPLACEMENT PARTS LIST

PACKAGE	ITEM#	SAMPLE	DESCRIPTION	QTY.
LEG	1		LEG	2
	2		LEG BEAM	1
	3		WOOD PLUG	2
FRAME(PANEL)	4		SIDE CABINET	2
	5		END CABINET	2
	6		SIDE APRON	2
	7		END APRON	2
	8		APRON JOINT CORNER BLOCK	4
	9		LONG WOODEN BLOCK	4
	10		SHORT WOODEN BLOCK	4
BEAM	11		CROSS BEAM	2
TOP RAIL	12		TOP RAIL LEFT SIDE	2
	13		TOP RAIL RIGHT SIDE	2
	14		TOP RAIL END	2
POCKET	15		SIDE POCKET	2
	16		CORNER POCKET	4

REPLACEMENT PARTS LIST


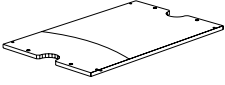
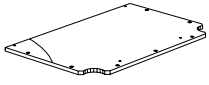

PACKAGE	ITEM#	SAMPLE	DESCRIPTION	QTY.
SLATE	17		SLATE (LEFT)	1
	18		SLATE (CENTER)	1
	19		SLATE (RIGHT)	1
	20		WOOD JOINT	8

FIG.1

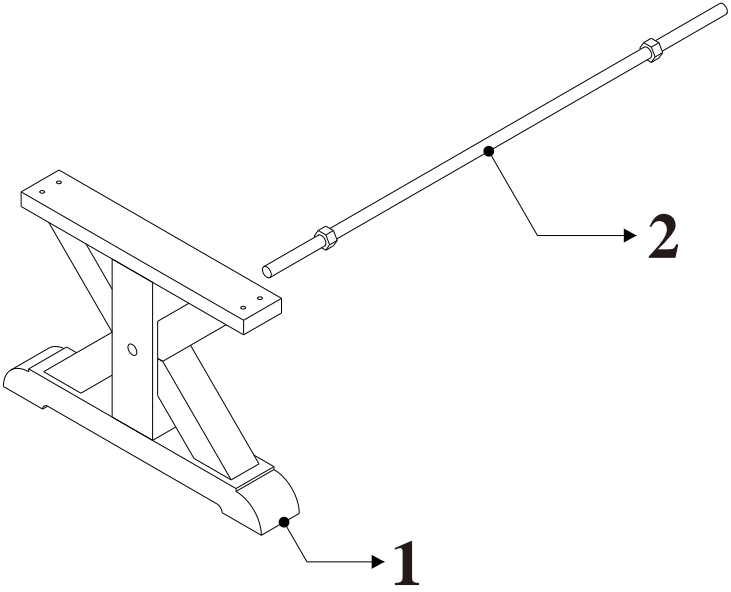


FIG.2

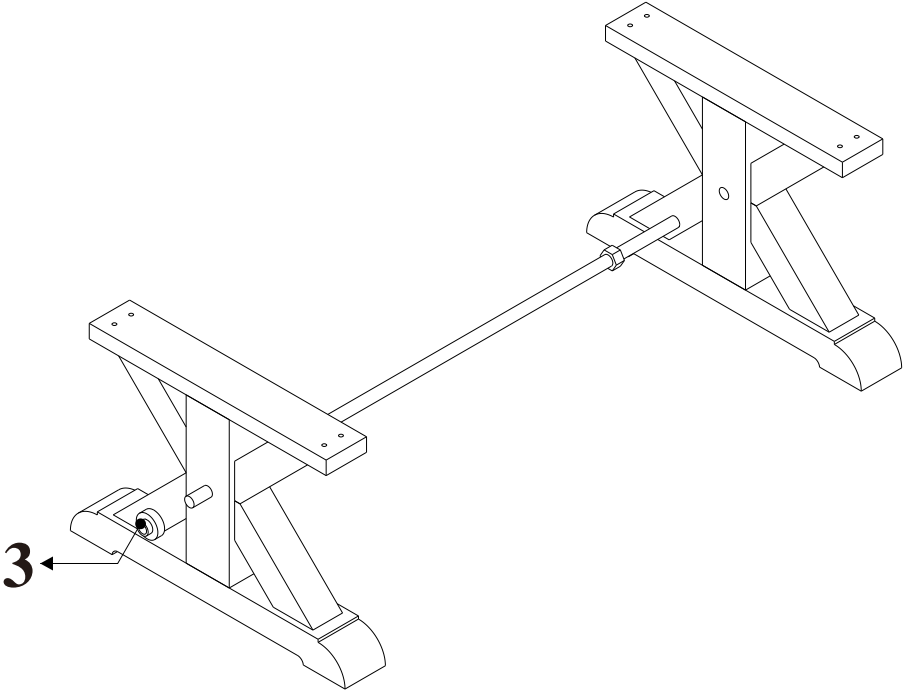


FIG.3

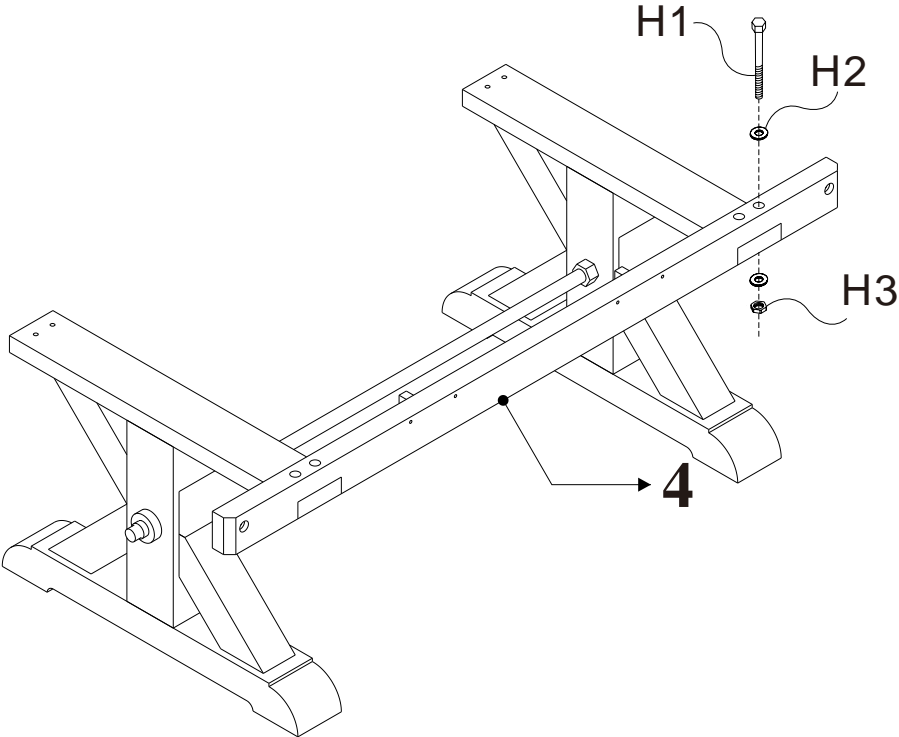


FIG.4

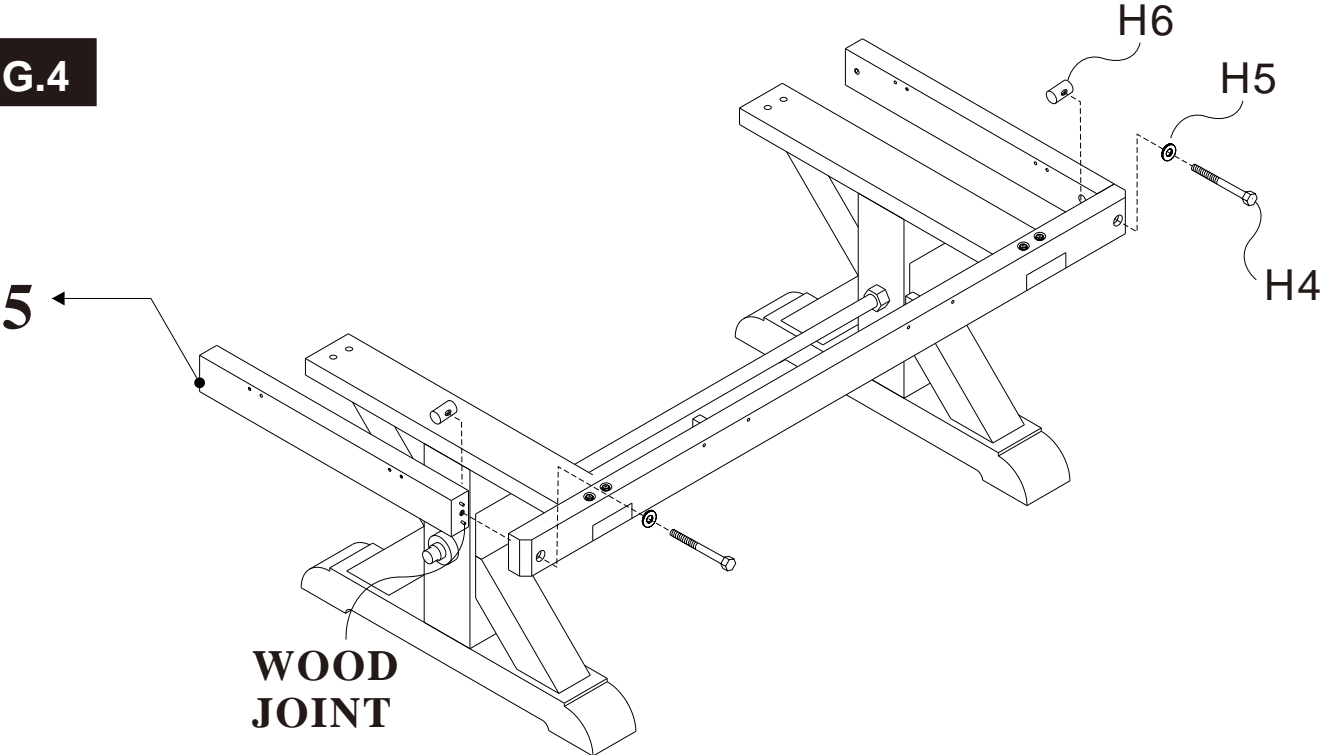


FIG.5

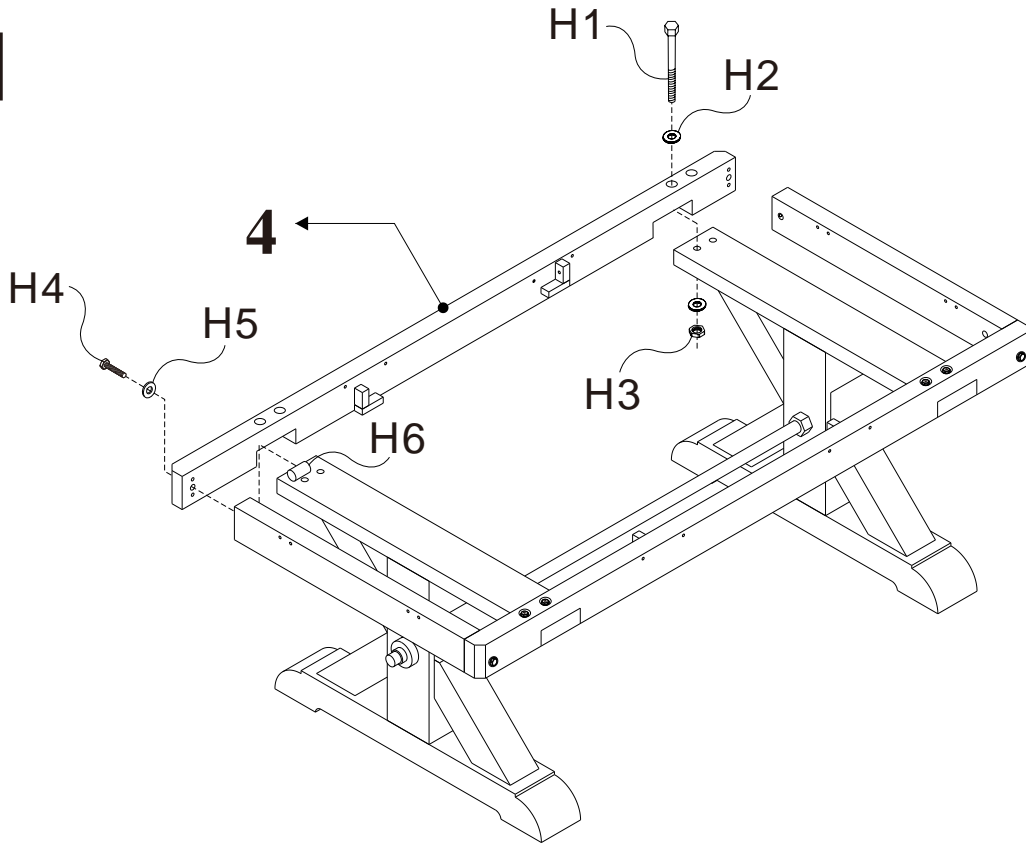


FIG.6

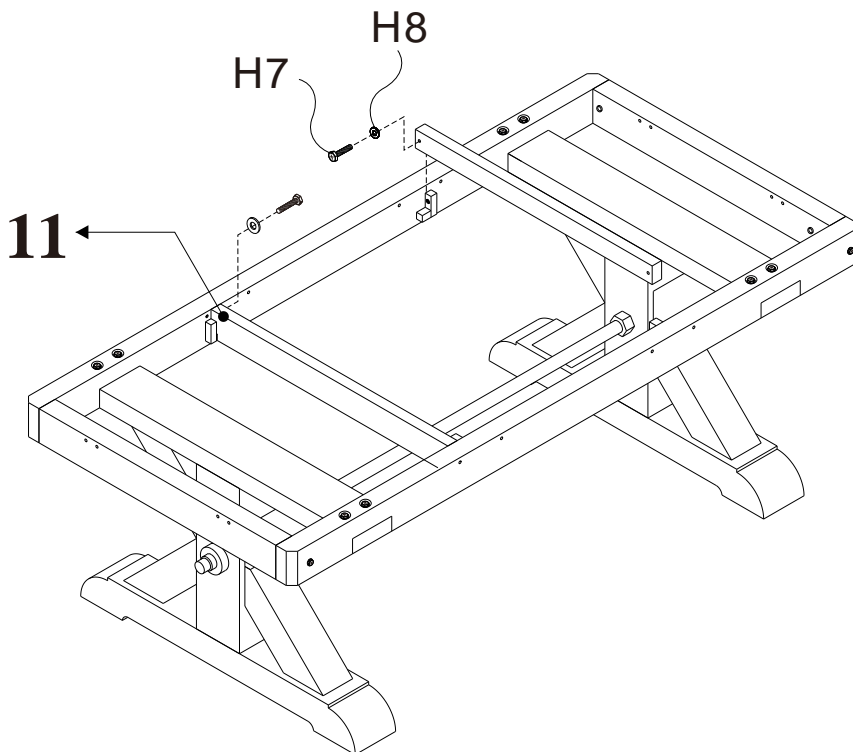


FIG.7

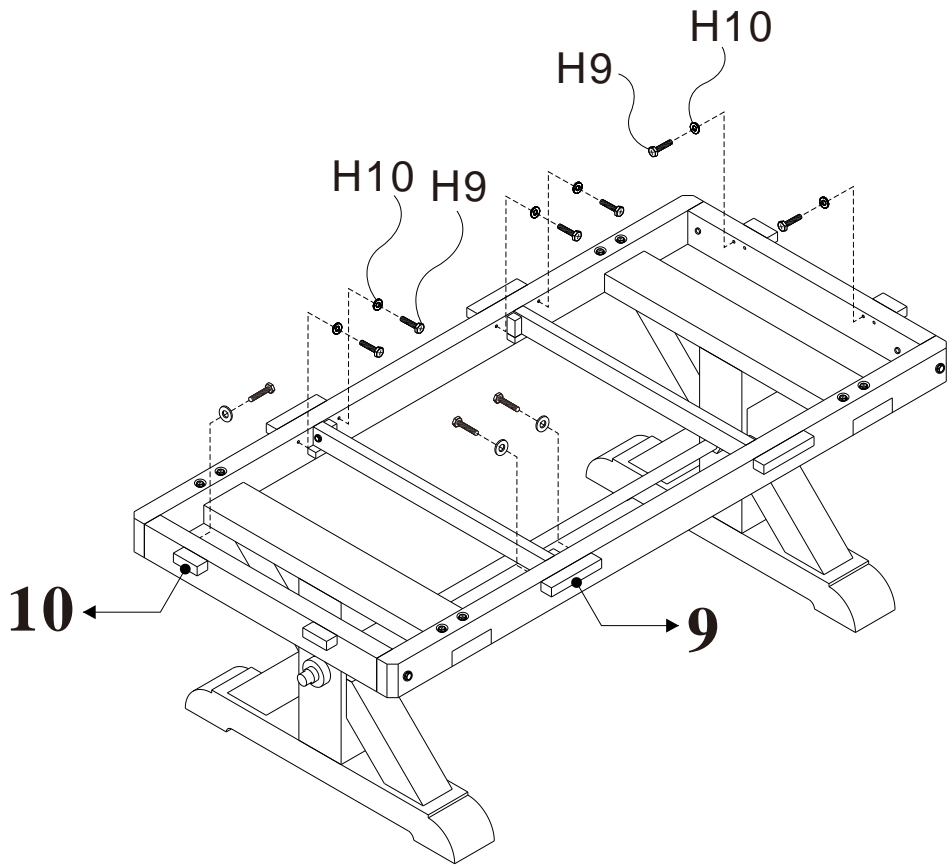


FIG.8

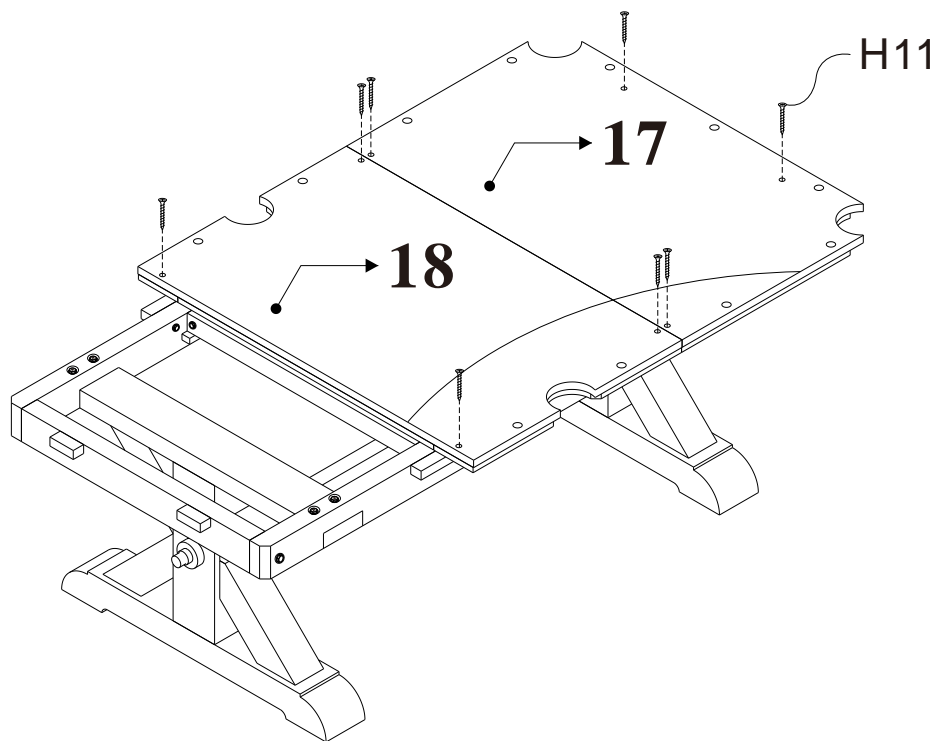


FIG.9

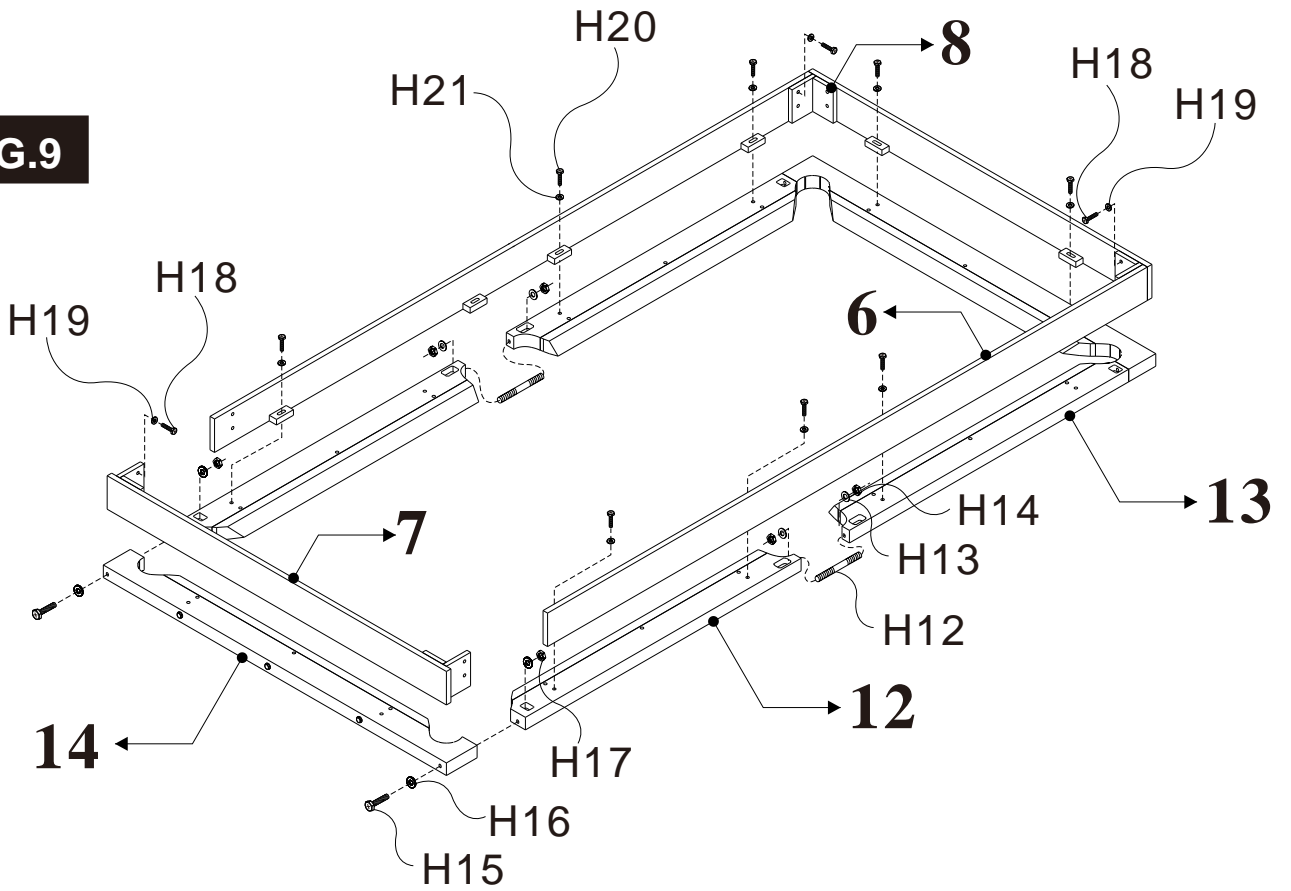
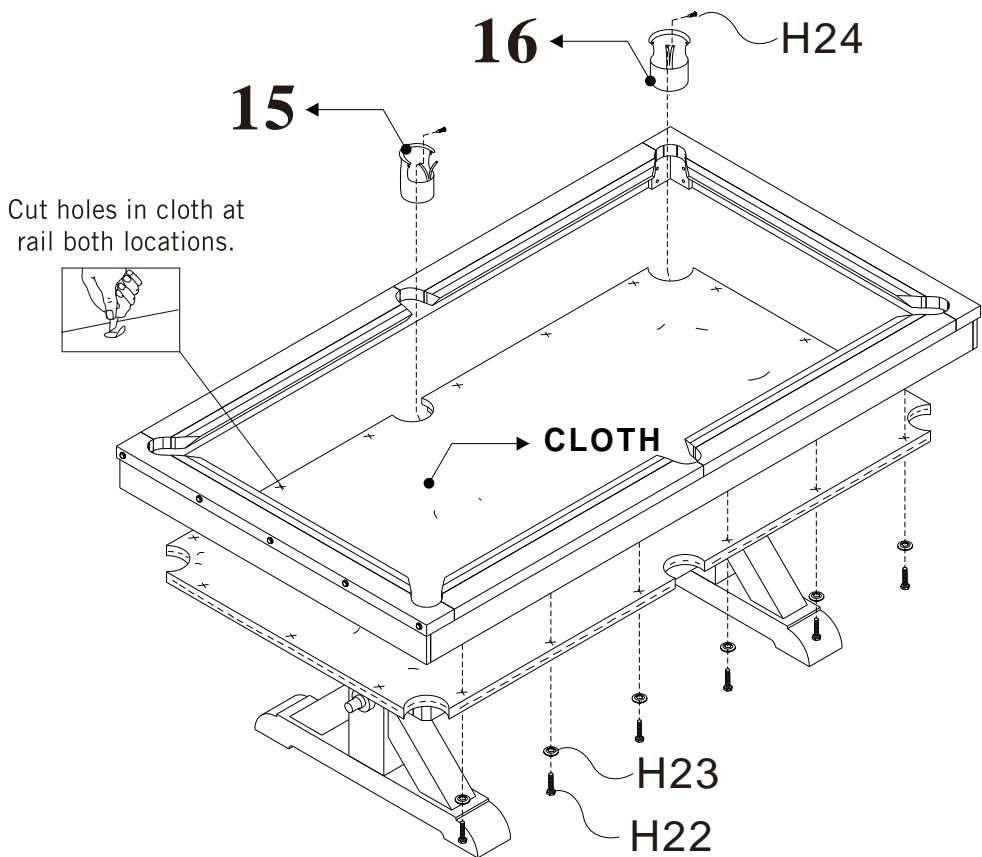


FIG.10



Finish

